

Catalog #:	
Project:	
Type:	Date:
Notes:	

# LED Back- Lit Panel Light



## Key Features

- This ultra-thin ceiling troffer seamlessly into standard drop ceiling troffer.
- Openings or can be surface mounted to ceilings and walls.
- Suitable for retrofit and new construction.
- Easy and quick to install.
- Top of Class Efficacy of 125Lm/W or greater.
- Even light diffusion across panel surface.
- Standard 3-in-1 dimming(0-10V;PWM;Rx)

Input Voltage: AC100-277V

Operating frequency: 50/60Hz

Power factor: >0.95

Ambient temperature range: -20°C~+45°C

THD: ≤10%

IP Rating: IP40

Beam angle: 120°

## Optional Accessories



Motion Sensor



Sensor Remote



Emergency Driver

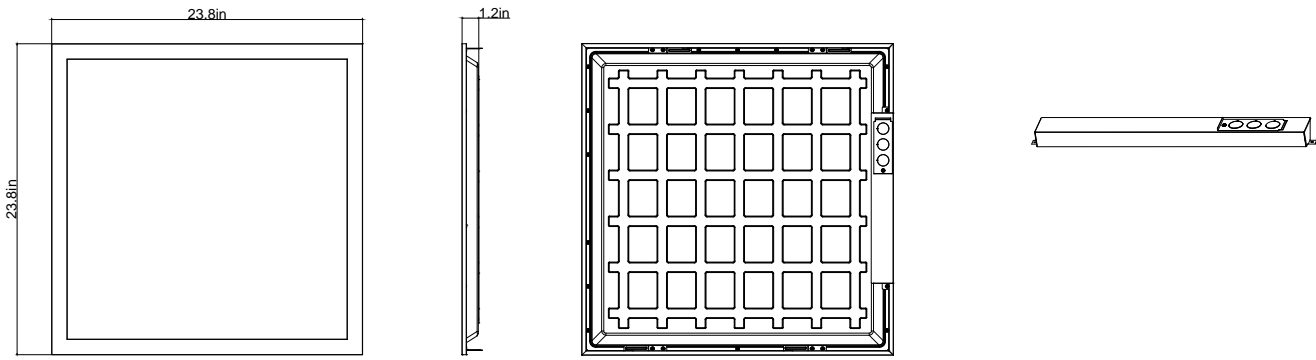


Surface Mount Kit

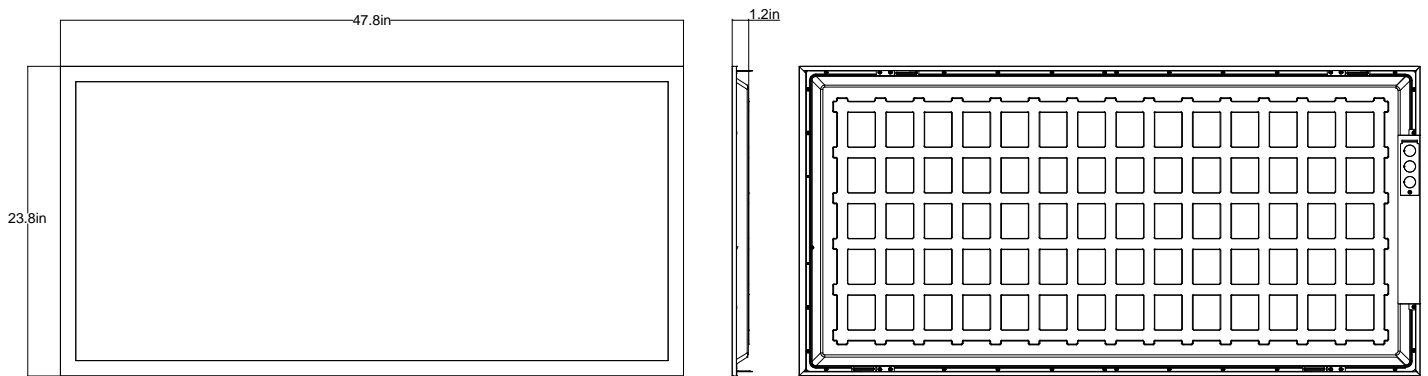
Model No	Power (W)	Voltage	CRI	3000-5000K		Dimension	Weight (lbs)
				Lumens	Efficacy		
ML-PS2*2-F40-CC	40W	100-277V	>80	5000 lm	125 lm/W	23.8*23.8*1.2"	4.85
ML-PS2*4-F72-CC	72W	100-277V	>80	9000 lm	125 lm/W	47.8*23.8*1.2"	8.5

## Dimensions

ML-PS2\*2 40W

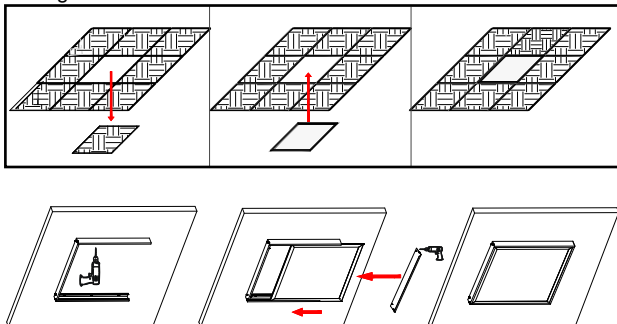


ML-PS2\*4 49W,60W,72W



## Installation Diagram

Ceiling Mounted Installation



\*Surface Mount kits not included. Additional Accessory

## Distribution Diagram

